

**Manufacturer's declaration in accordance with the requirements of**

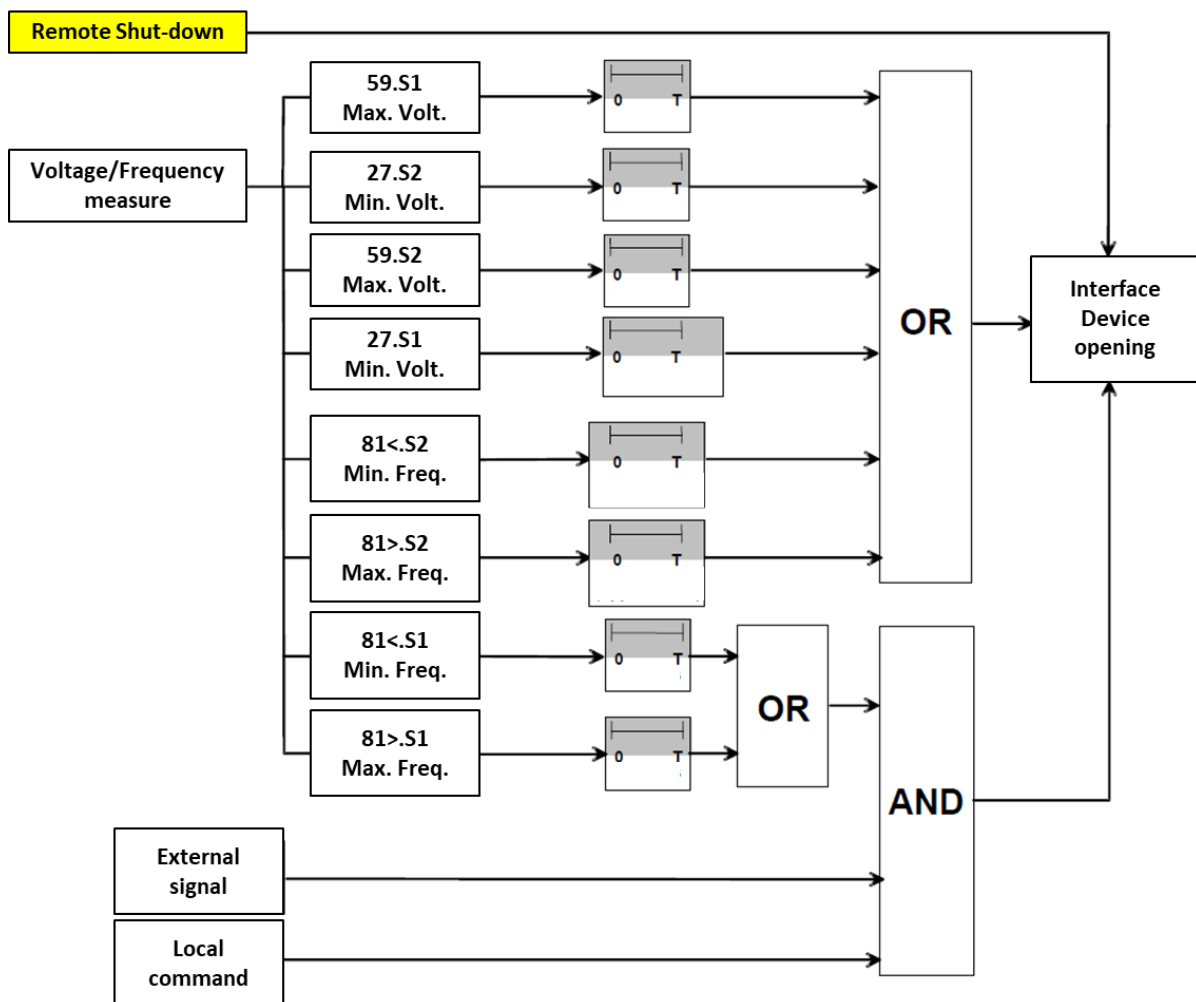
**G98-Amd. 6(2021-09) standard Sec 9.4.4, and G99-Amd. 8(2021-09) standard Sec.s11.1.3, 11.1.3.1 regarding "Logic Interface (input port)" dedicated To Active Power Remote Ceasing**

We Viridian Solar Limited declare under our sole responsibility that the products referred to below,

Clearline Inverters CSI1000, CSI1500, CSI2000, CSI2500, CSI3000

**in the name of the Company declares the following:**

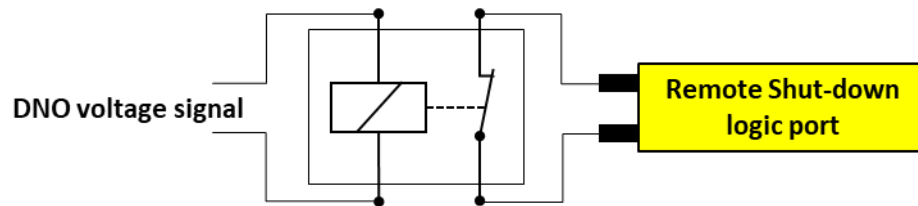
- 1) inverters internally equipped with an Interface Protection System operating on the AC side interface relay according to the following logic scheme:



ANSI CODE ref. IEEE C37.2

- 2) The inverter can normally operate when closing the two-terminal logical port aboard of the inverter.

- 3) The inverter will be powered off when opening the two-terminal logical port aboard of the inverter.
- 4) This logic port a mono-stable normally closed (NC) relay that can be commanded with a voltage signal according to the DNO specification, according to the following scheme:



- 5) The reaction time from commanding with a voltage signal by DNO to opening the relay guarantee the ceasing of Active Power supply at the AC port of the inverter within 5sec.

23<sup>rd</sup> April 2023

Dr KT Tan  
Chief Technical Officer  
**Viridian Solar Limited**